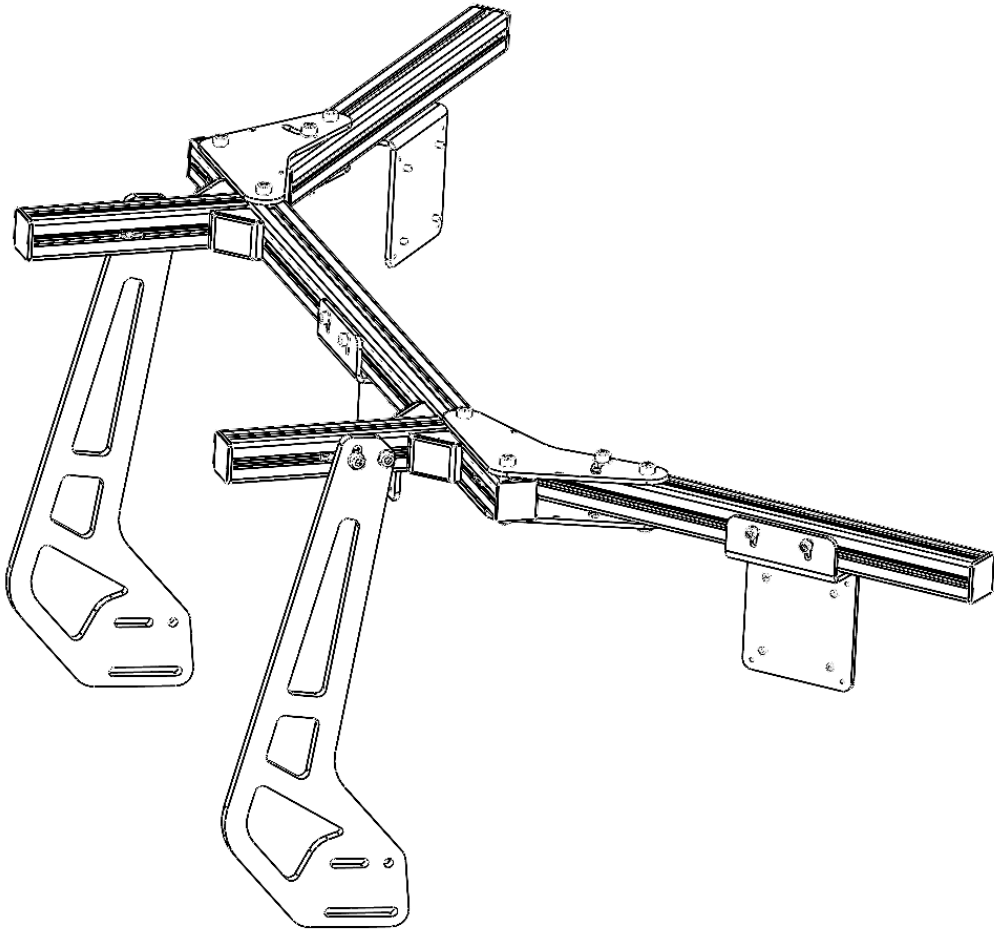


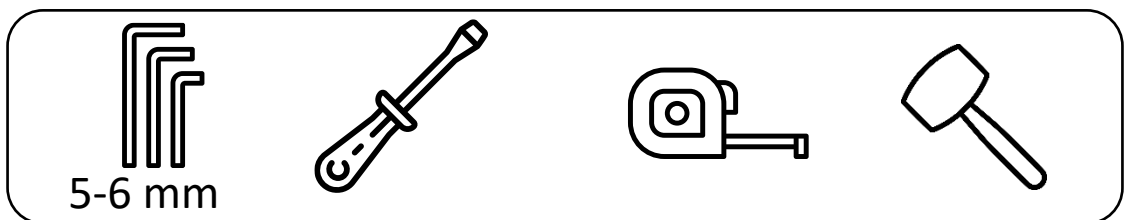
# SINGLE TO TRIPLE SCREEN KIT

3 VESA PLATES

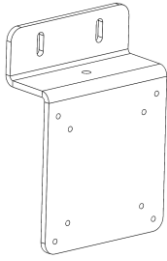
INSTRUCTION MANUAL



REQUIRED TOOLS:

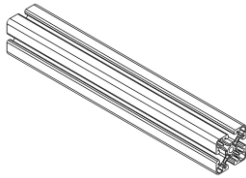


**1**



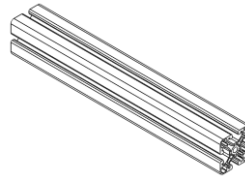
Monitor Bracket

**3x**



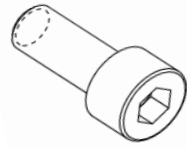
Profile 4040 L=1170

**1x**



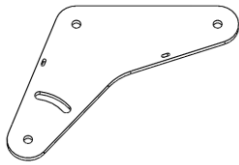
Profile 4040 L=500

**2x**



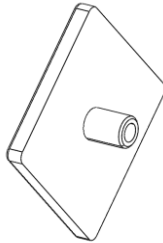
M8x16 Black

**16x**



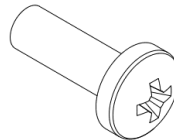
Bracket

**4x**



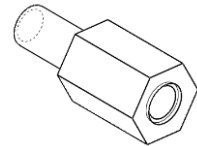
Cover 4040

**6x**



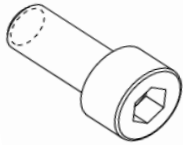
M4x12

**12x**



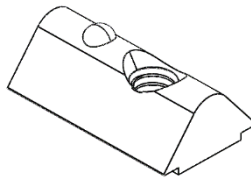
Spacer M4x10

**12x**



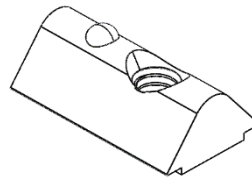
M6x16

**6x**



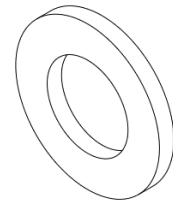
Click-in Nut M6

**6x**



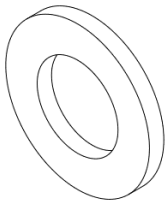
Click-in Nut M8

**16x**



Plain Washer M8

**4x**



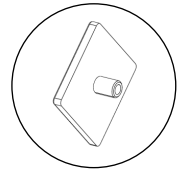
Plain Washer M6

**6x**

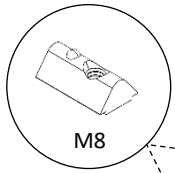
2



Left profile 4040 L=500

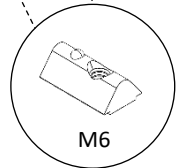
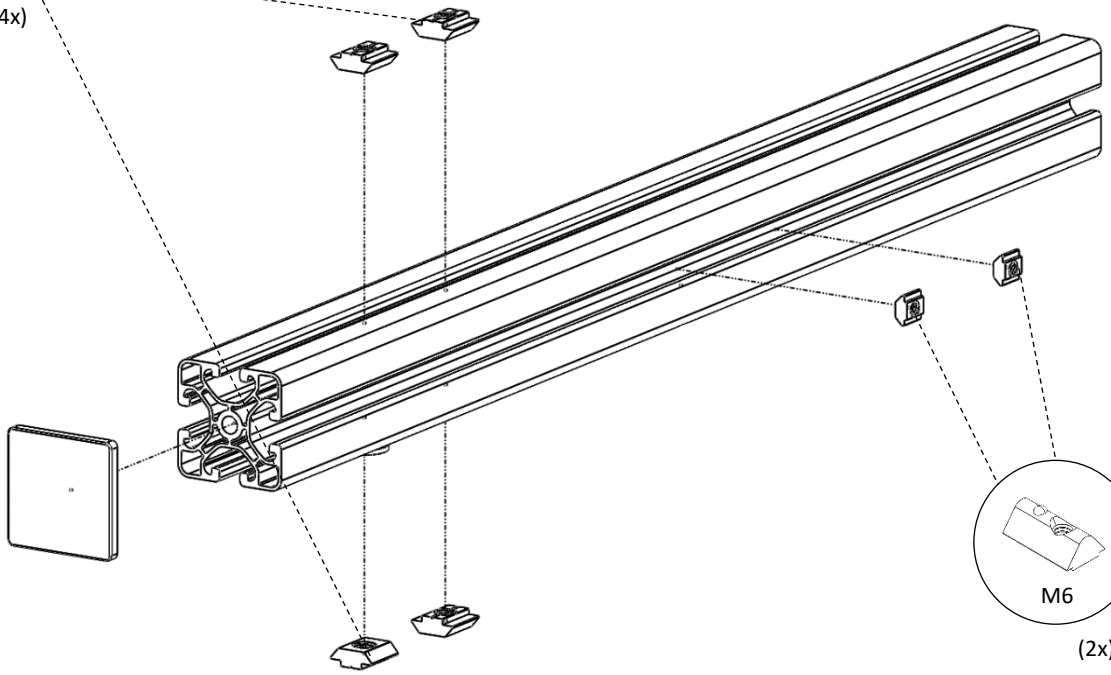


(1x)



M8

(4x)



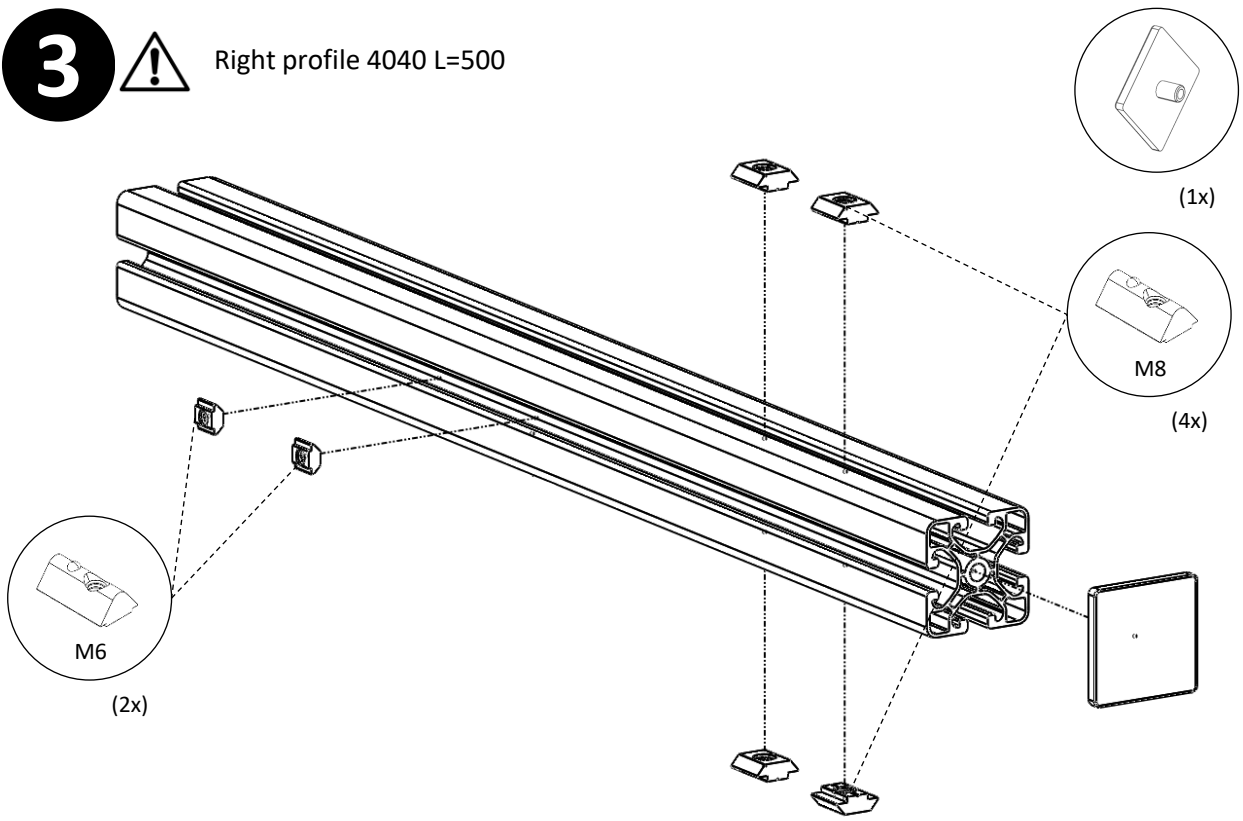
M6

(2x)

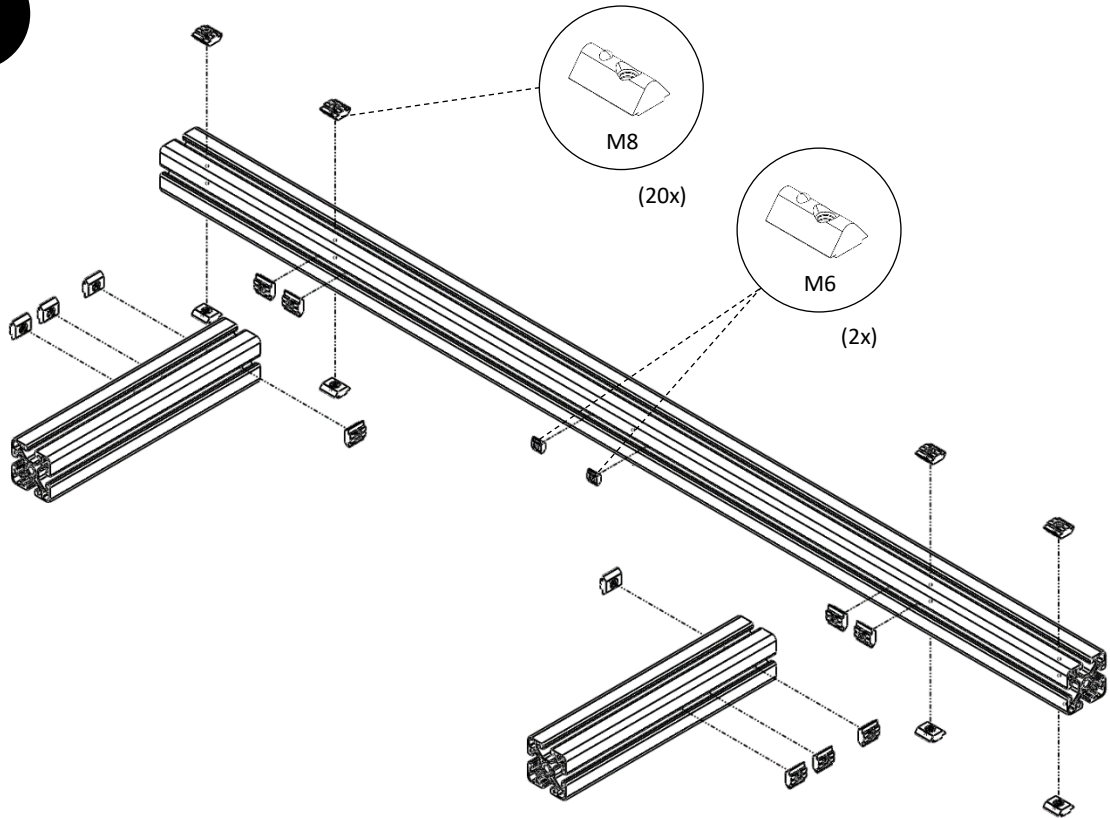
3



Right profile 4040 L=500

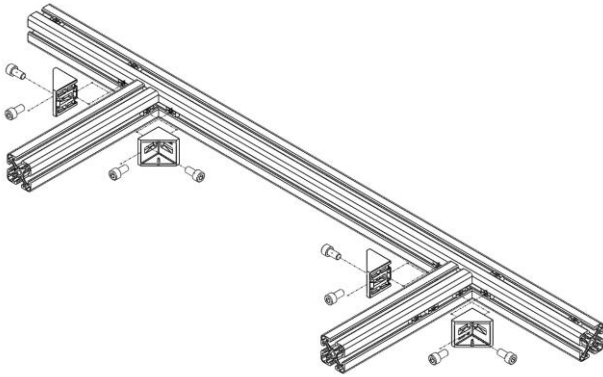


4

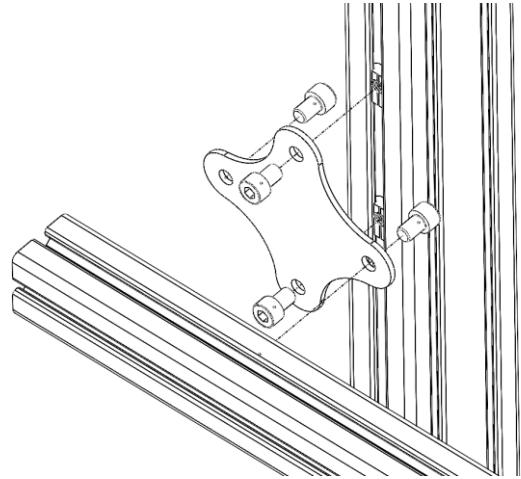


6

Mount the 4040 L=950 profile to your existing Unified profiles, or to your Stand.

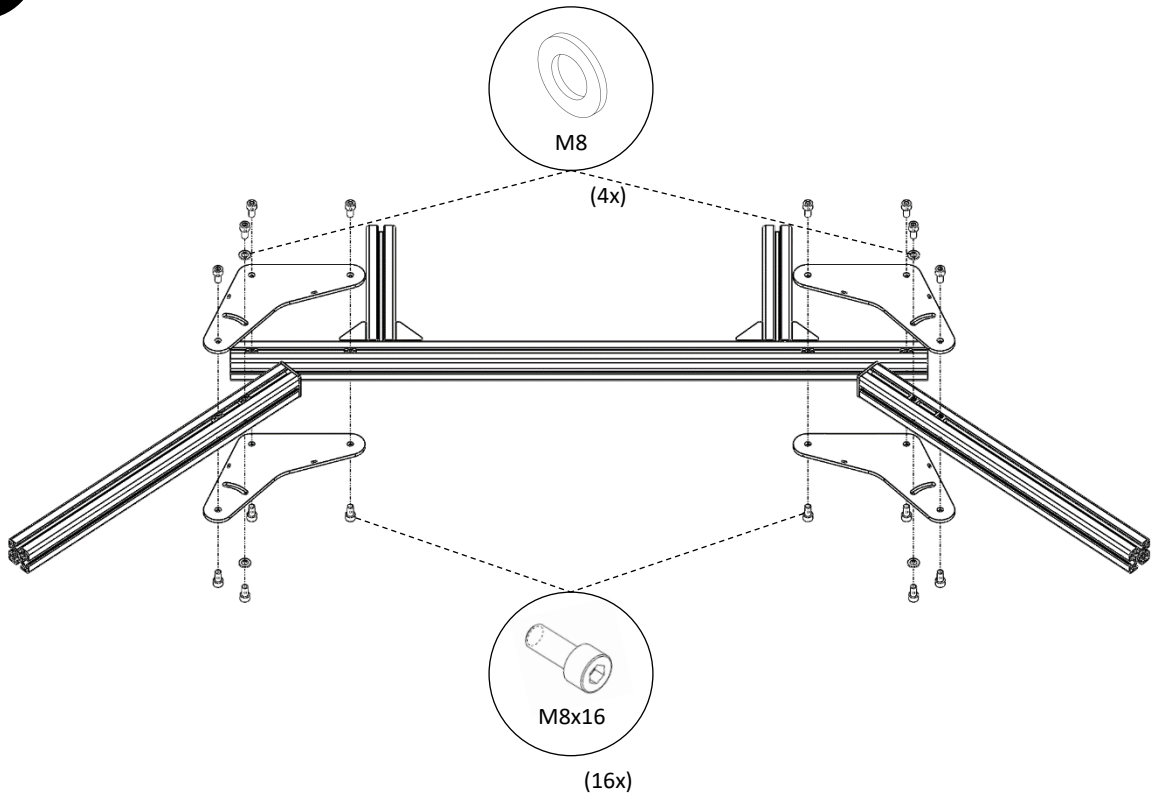


Option A: Mount it to the Unified Single Monitor Mount



Option B: Mount it to the Single Monitor Stand

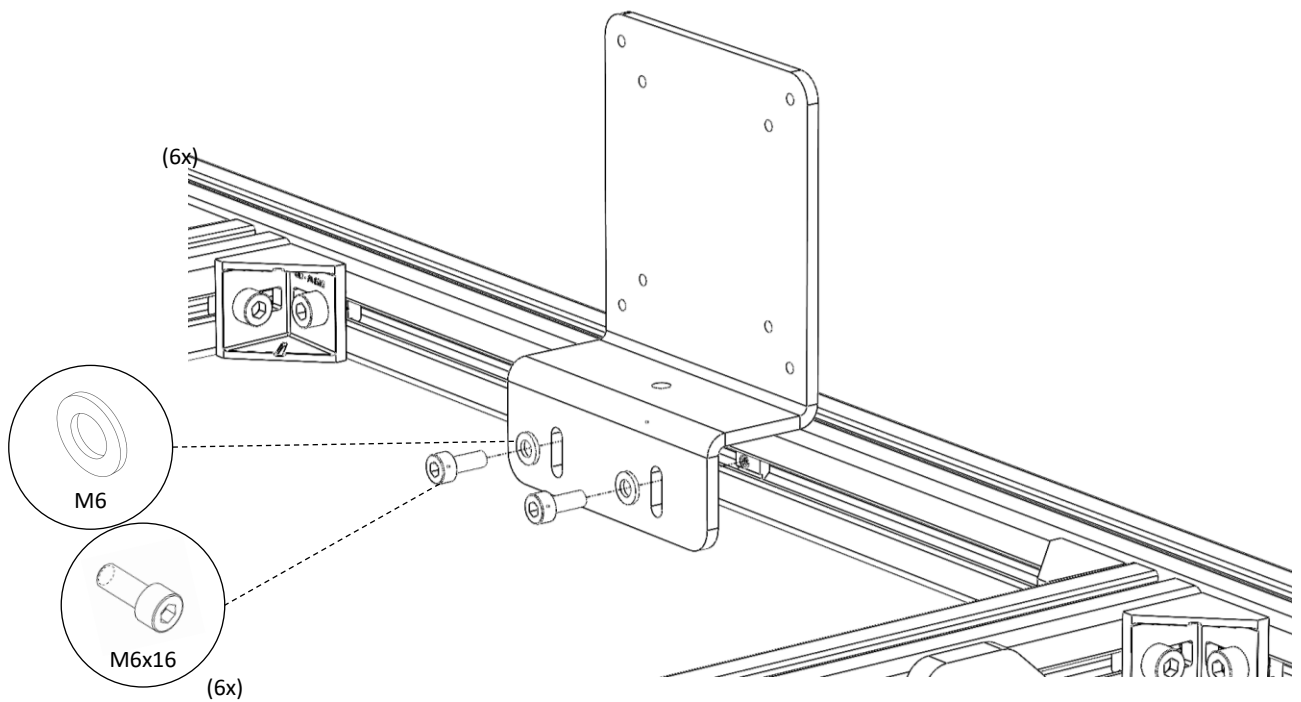
7



8

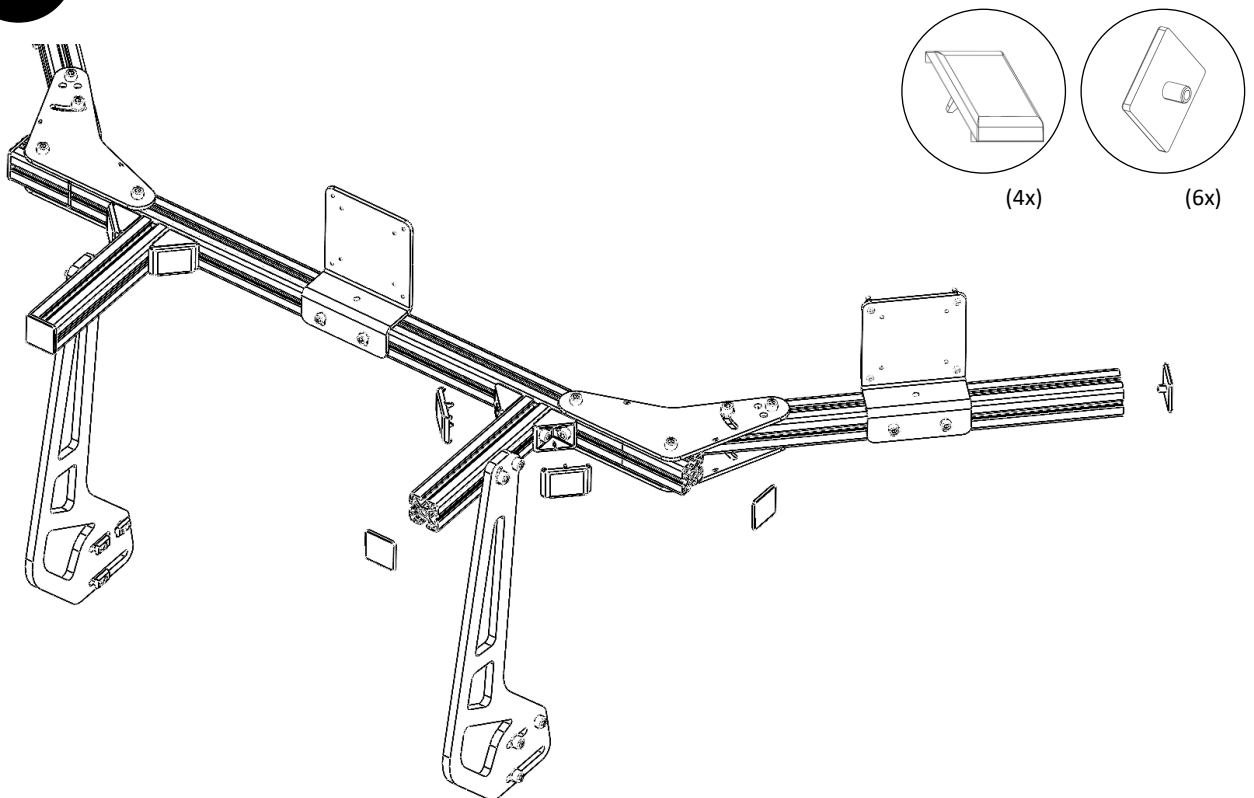


VESA bracket can be mounted up- or downwards. For screens > 27" we recommend mounting it upwards.



9

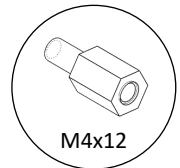
Place all the cover caps.



10



If necessary, use M4x10 spacers (included in package)



M4x12

(12x)

