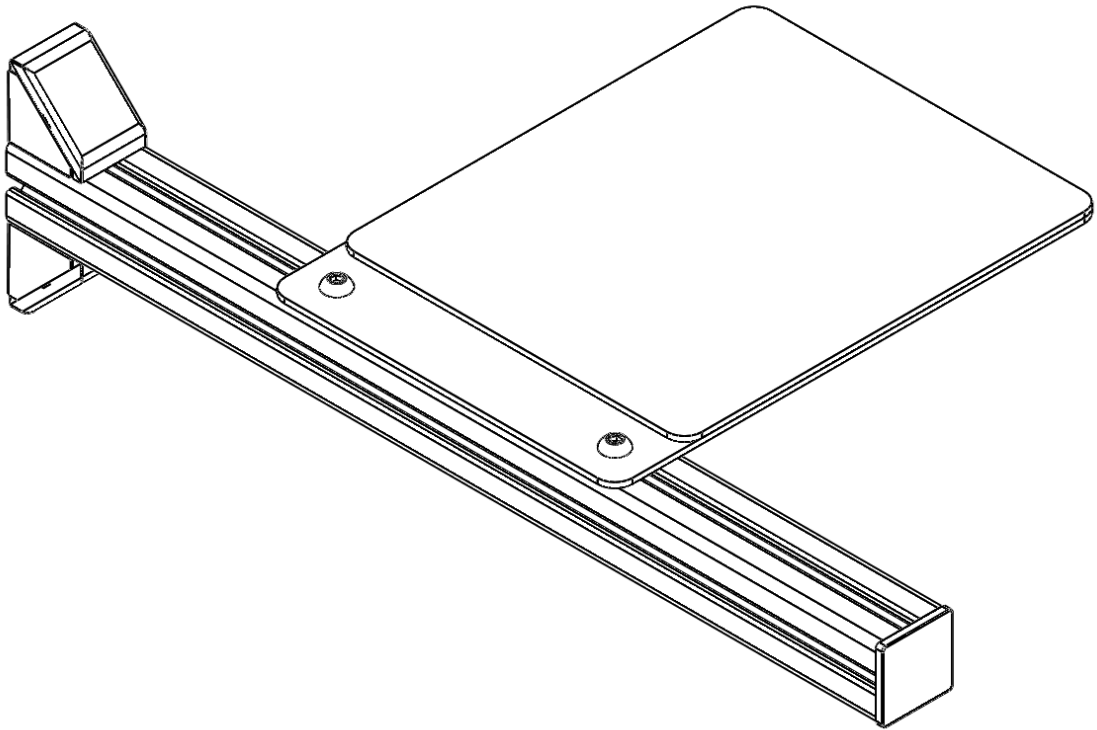
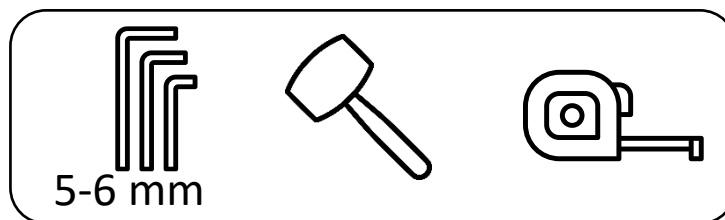


MOUSE TRAY

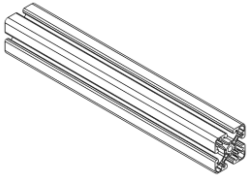
INSTRUCTION MANUAL



REQUIRED TOOLS:

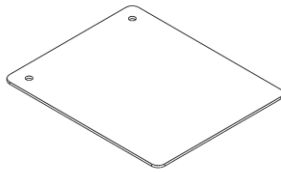


1



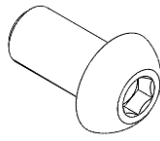
Profile 4040 L=500

1x



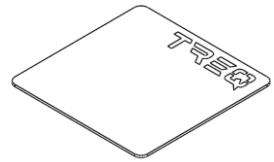
Bracket

1x



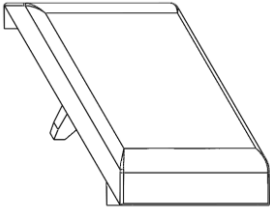
M8x12

2x



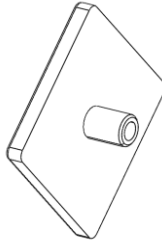
Mouse Pad

1x



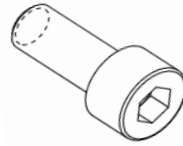
Corner Cover 4040

2x



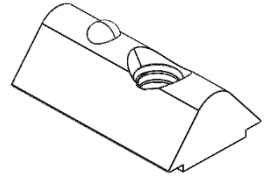
Cover 4040

2x



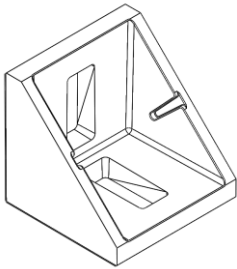
M8x16

4x



Click-in Nut M8

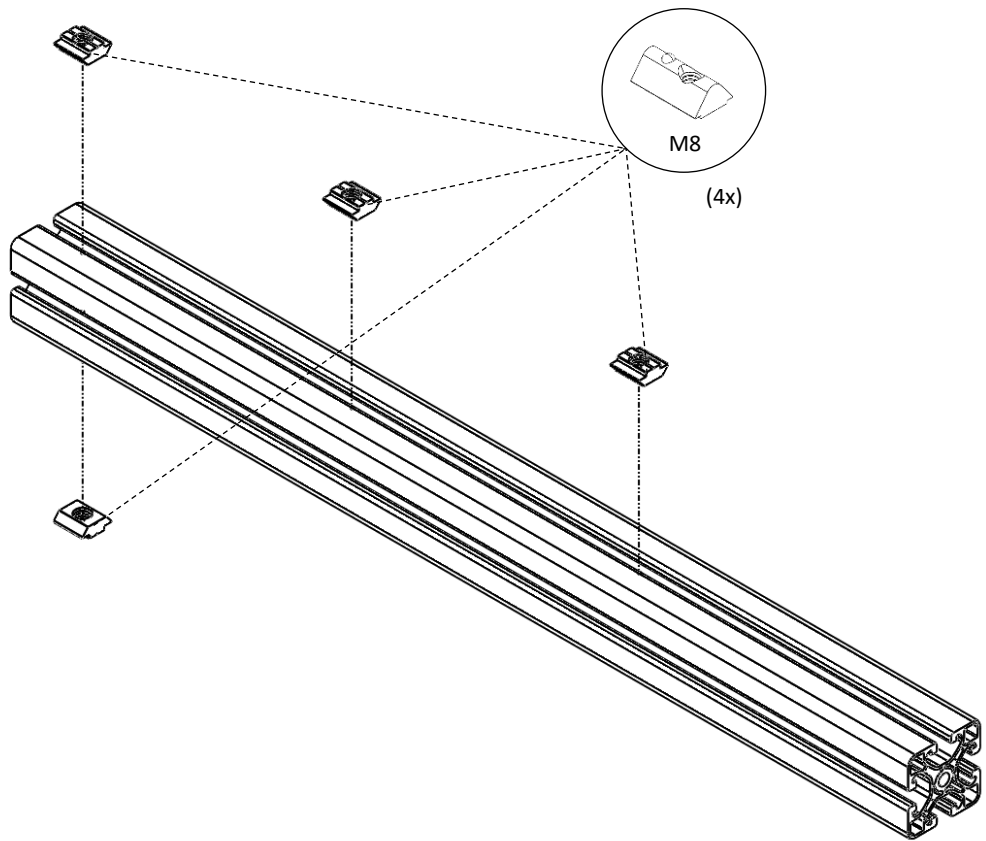
6x



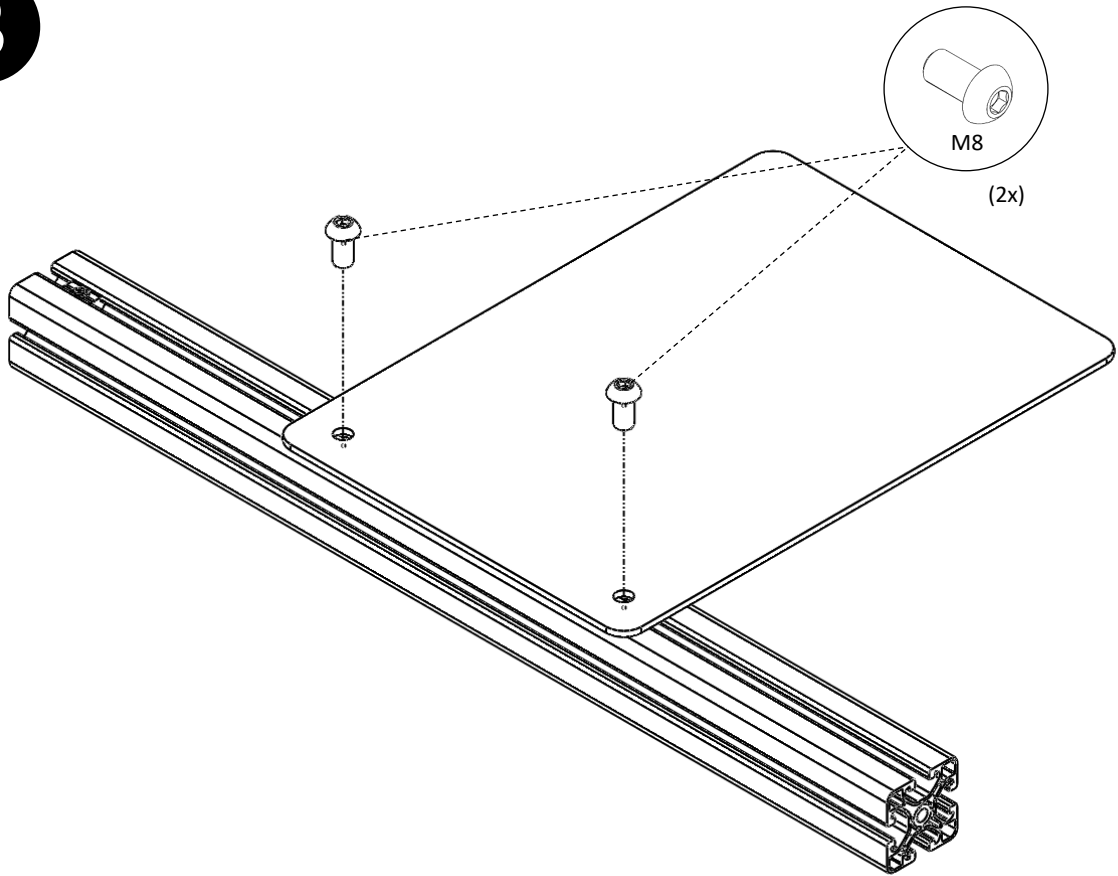
Corner 4040

2x

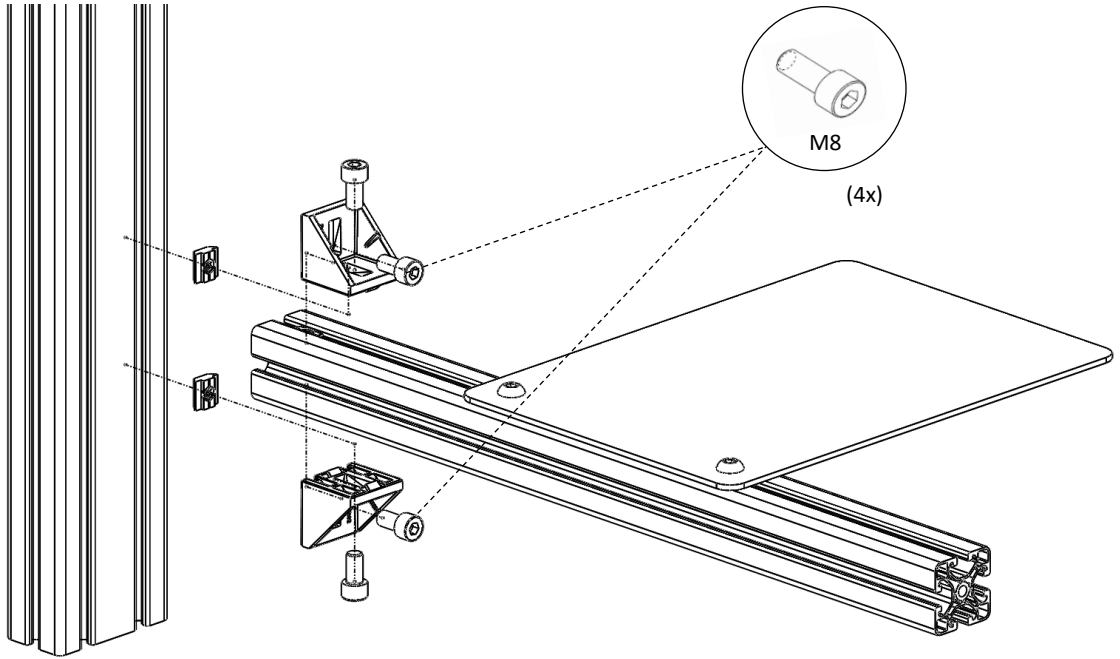
2



3



3



4

