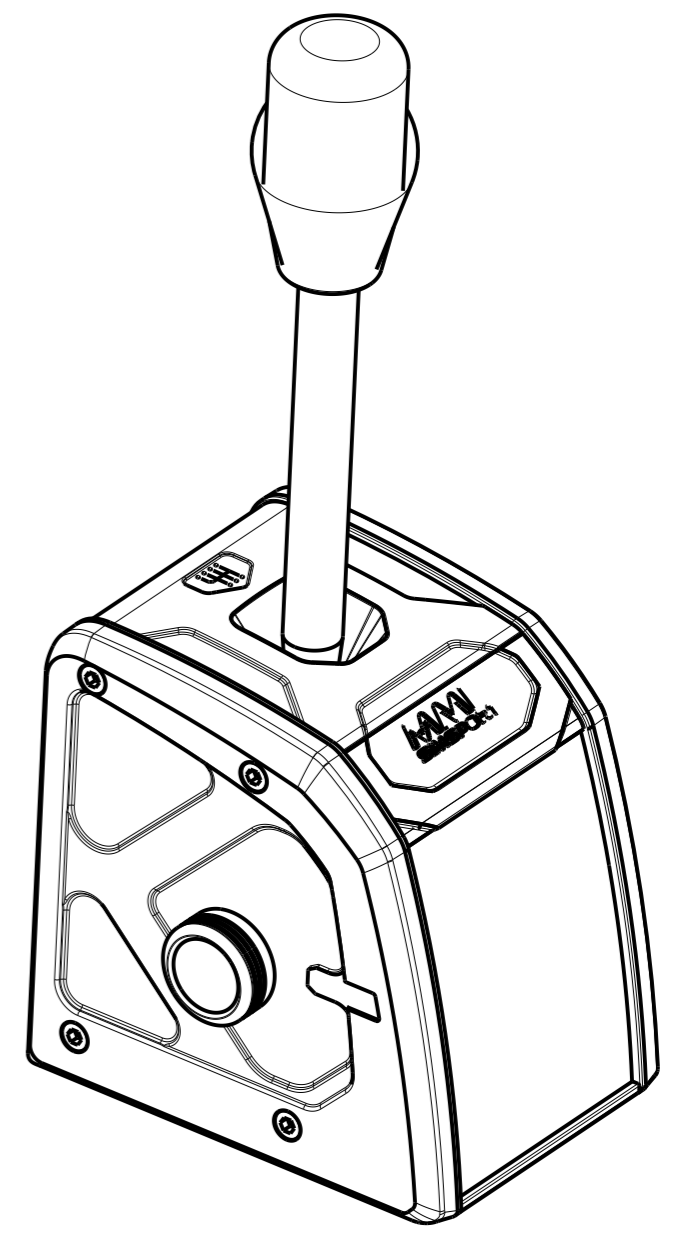
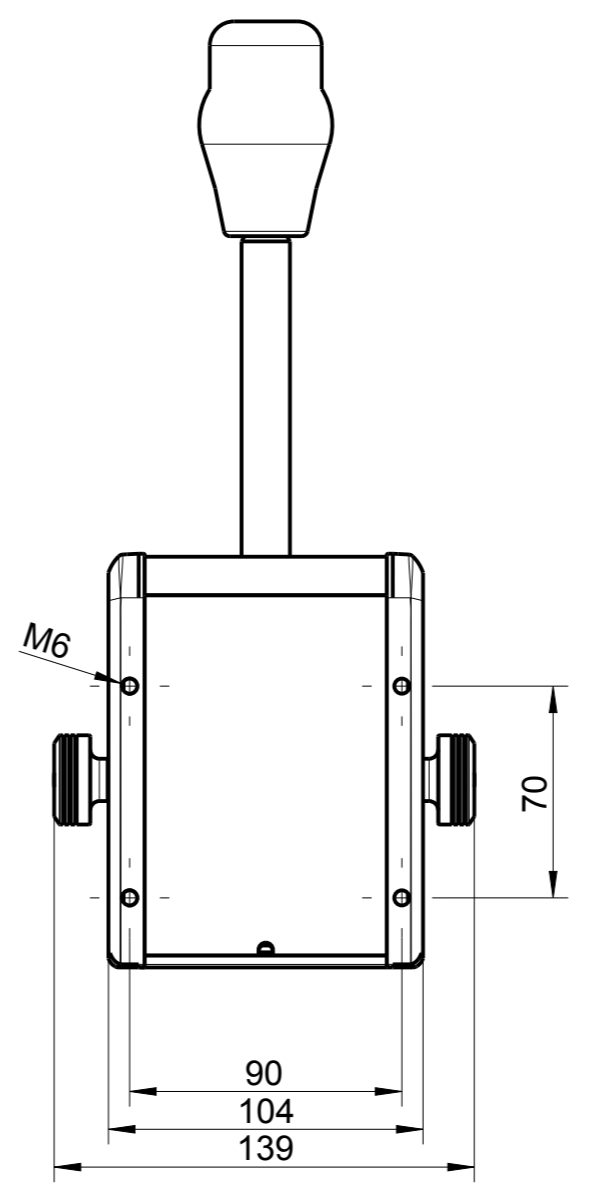
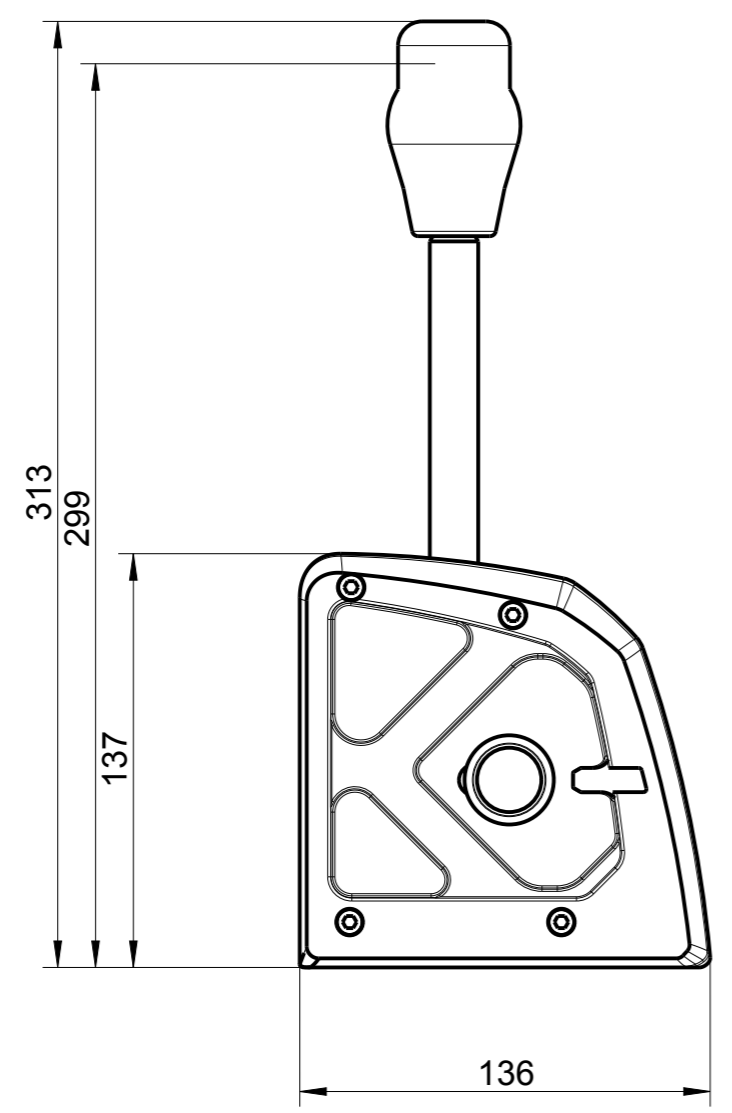
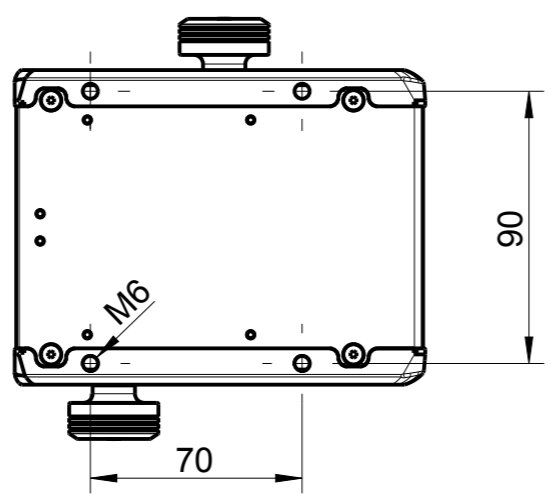
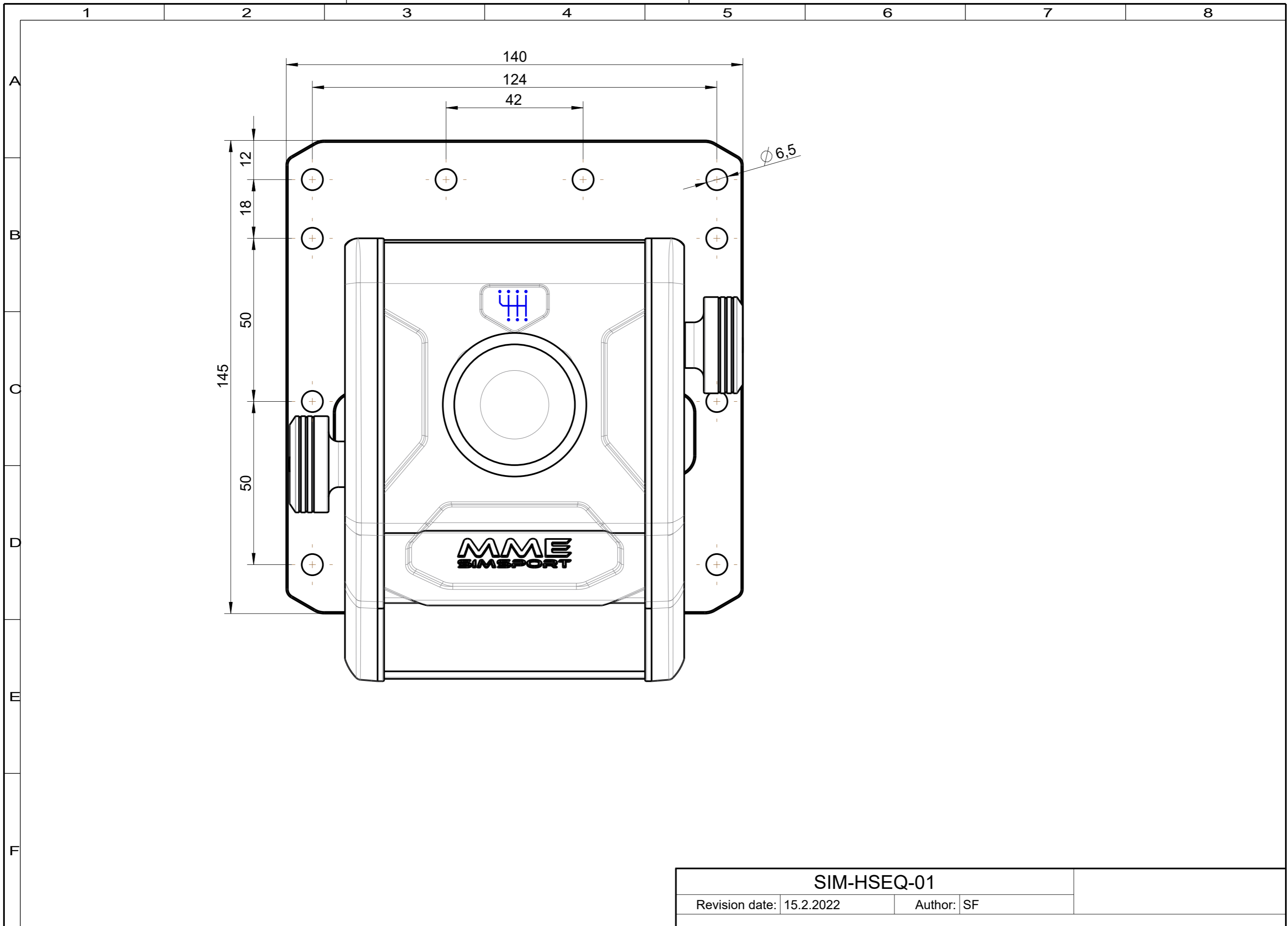


1 2 3 4 5 6 7 8

A  
B  
C  
D  
E  
F



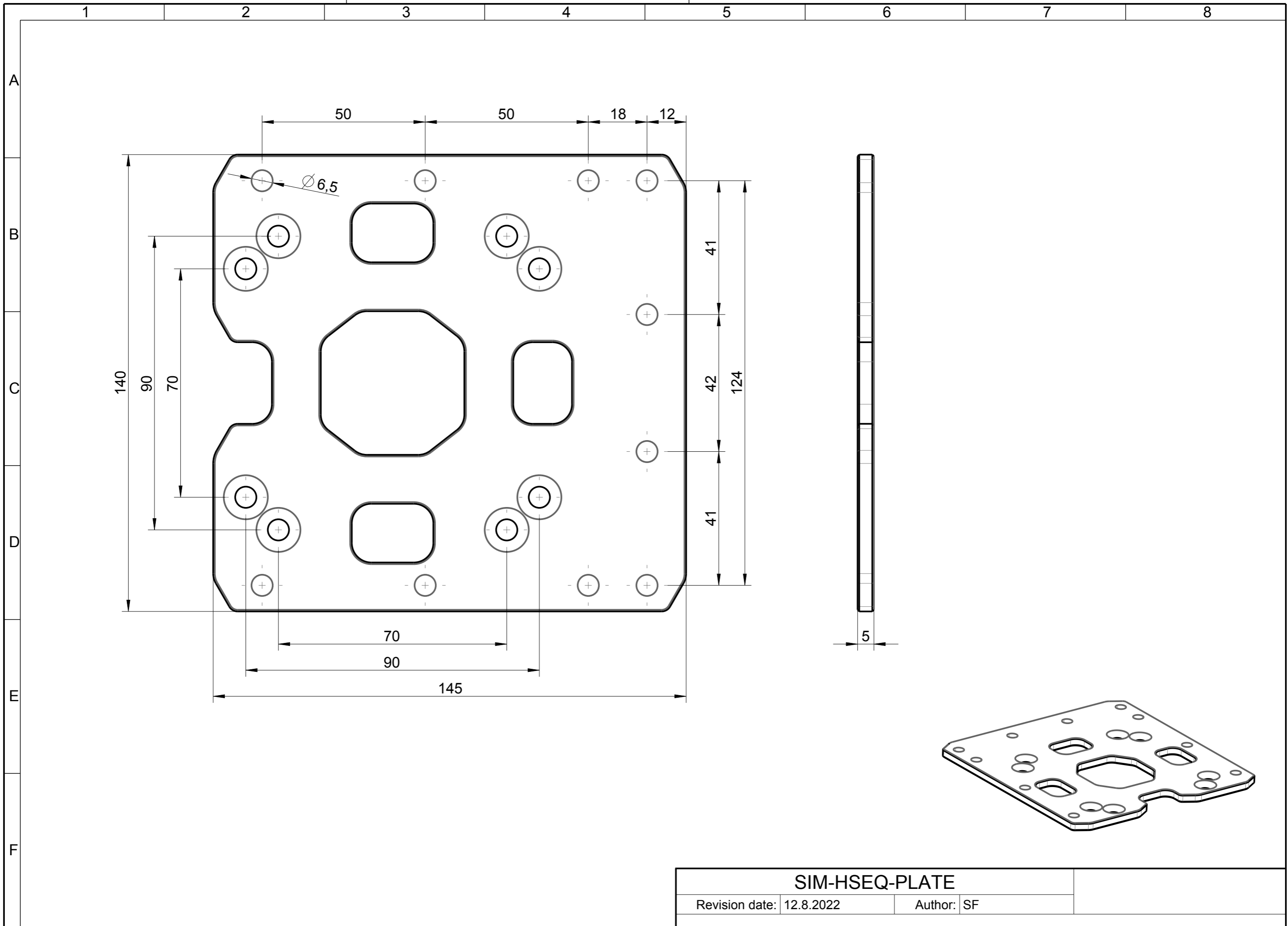
<b>SIM-HSEQ-01</b>		
Revision date:	15.2.2022	Author: SF



**SIM-HSEQ-01**

Revision date: 15.2.2022

Author: SF



**SIM-HSEQ-PLATE**

Revision date: 12.8.2022

Author: SF