

1

2

3

4

5

6

7

8

A

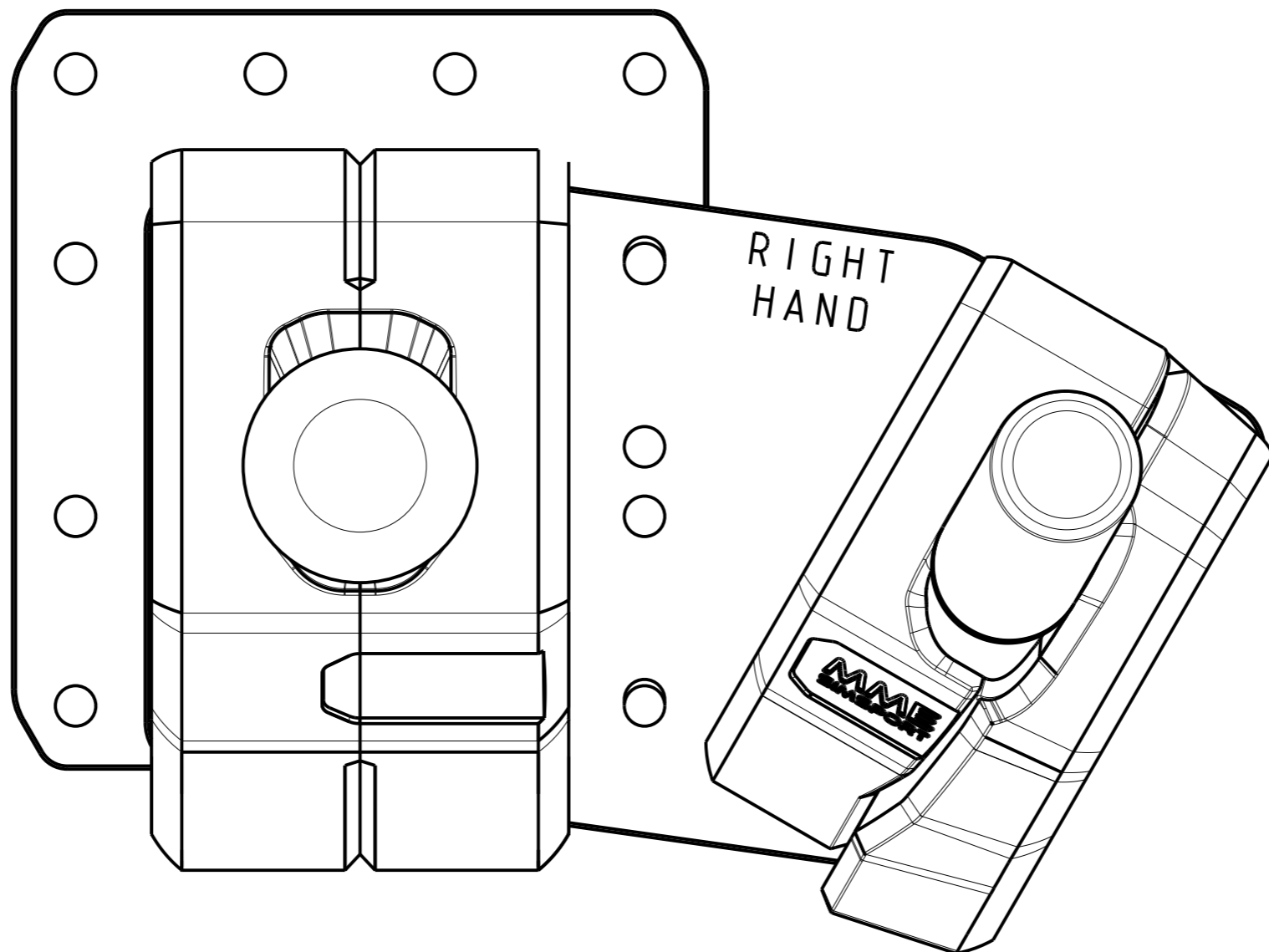
B

C

D

E

F



SIM-SEQ-HBP

Revision date: 6.7.2022

Author: SF

1

2

3

4

5

6

7

8

A

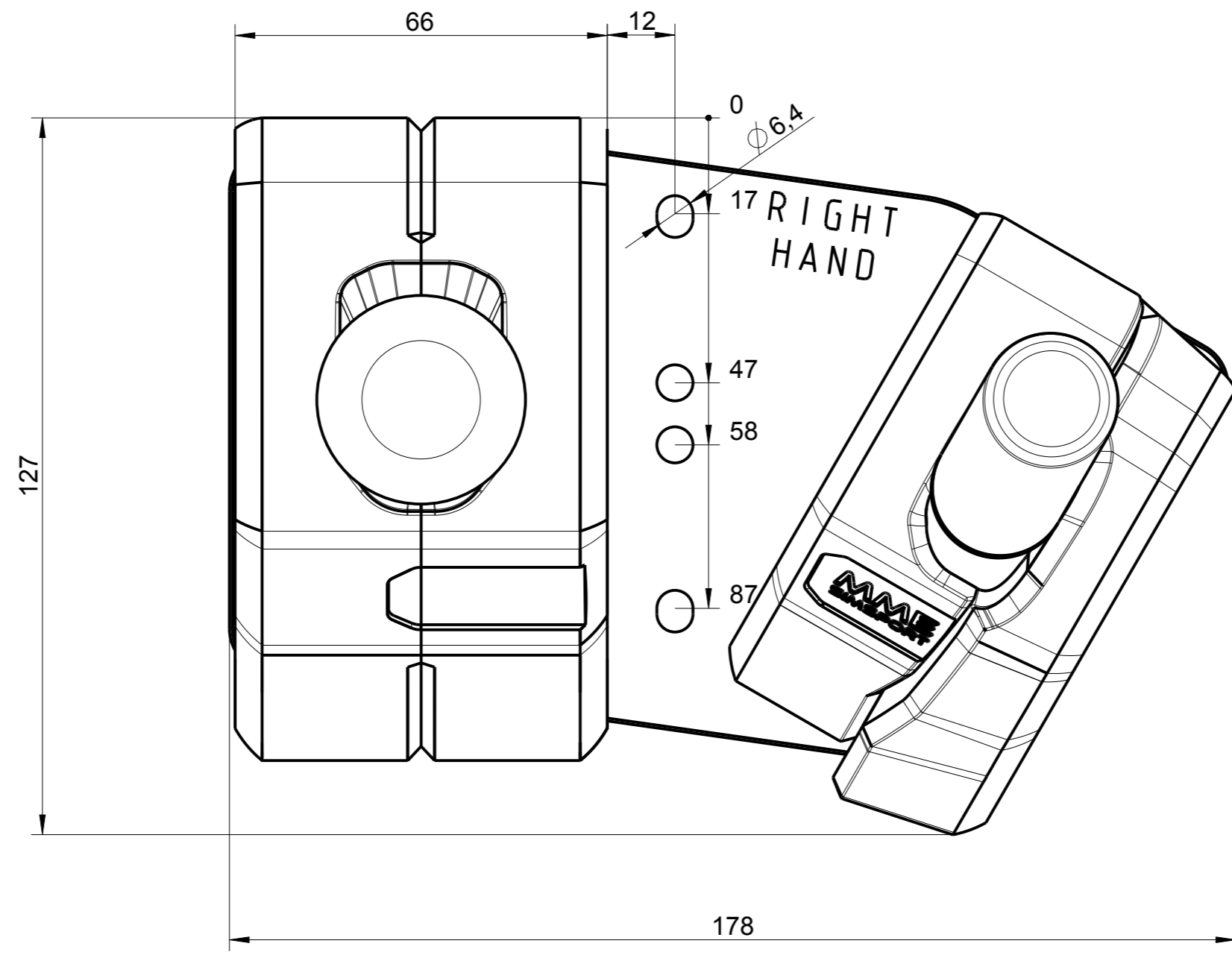
B

C

D

E

F



<b>SIM-SEQ-HBP</b>		
Revision date:	6.7.2022	Author: SF